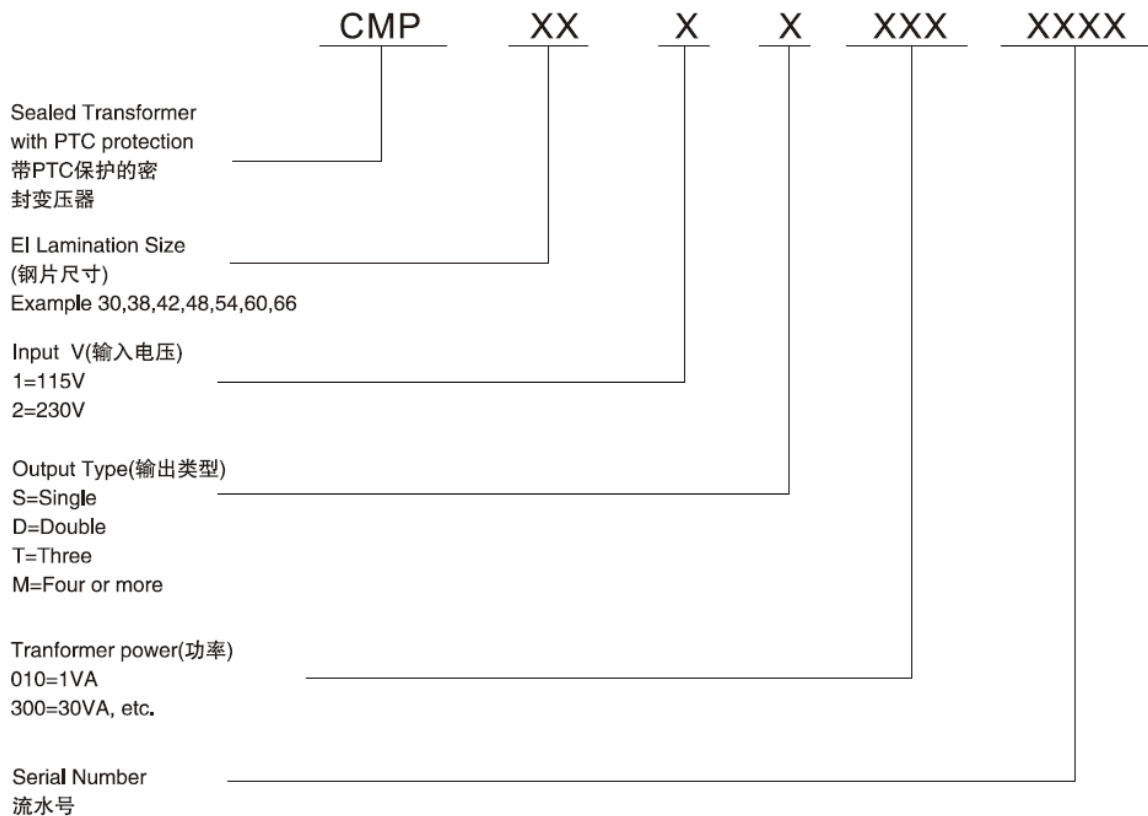


## SEALED TRANSFORMER WITH PTC CMP SERIES

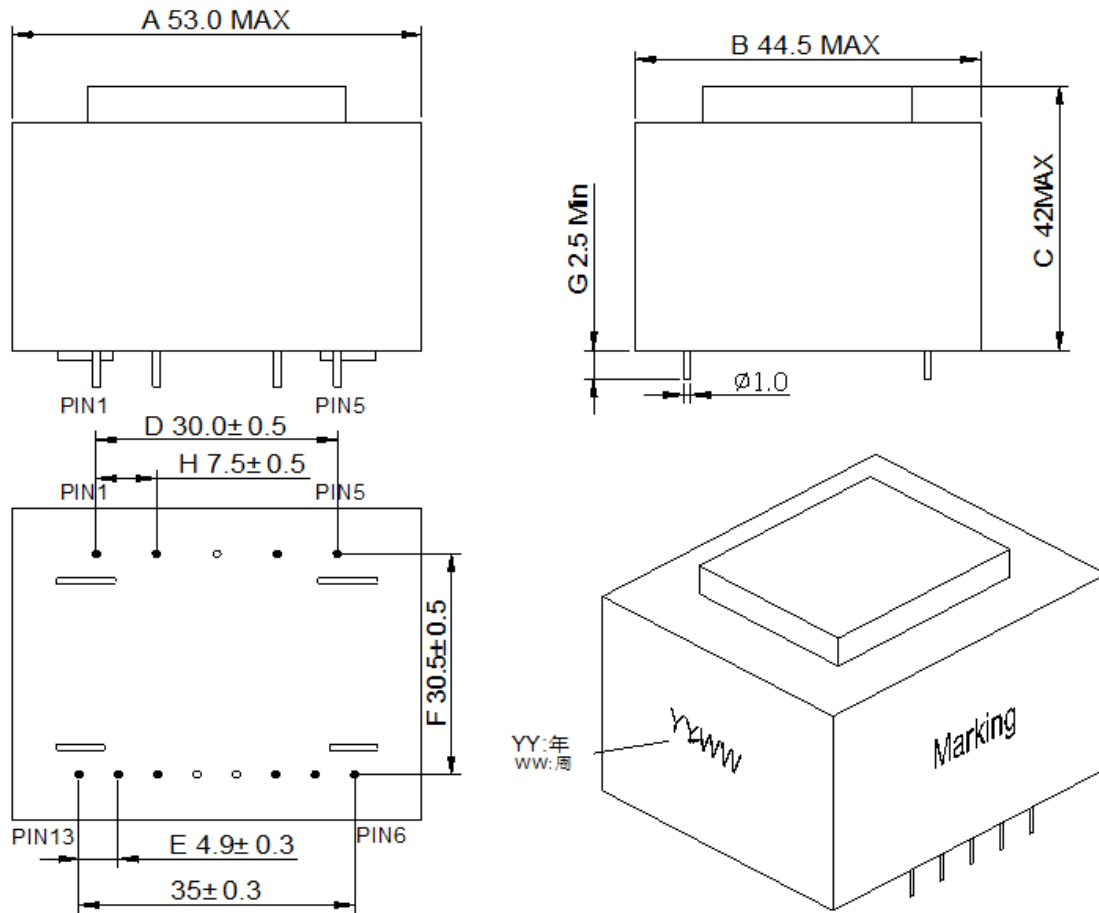
### FEATURES

- CQC Approved:  
CQC file No.CQC13001094903
- Vacuum Filling
- Split Bobbin Design
- Self-Extinguishing Plastics UL94V-0
- Dielectric Strength:  
INPUT:230V 4200Vrms  
INPUT:115V 2800Vrms
- Operation Frequency:50/60Hz
- Resin Class B IEC 85  
(20,000 h Testing to IEC 216)
- 100% Production Tested

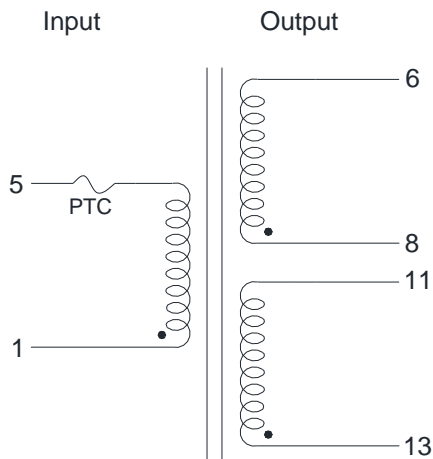
### ORDERING CODE



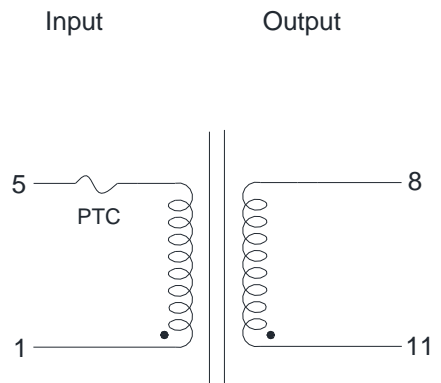
## OUTLINE DIMENSIONS



## SCHEMATIC DIAGRAM:



Dual outputs



Single output

**ELECTRONIC SPECIFICATIONS**

Order Number	Input Voltage (V)	No-load Voltage (V)	SEC. Voltage (V)	Rated Current (mA)	Rated Power (VA)	Ambient TEMP. (°C)	Weight (g)	Certificate	
								CQC	CE
CMP482S1500601	220V	8.1	6	2500	15.0VA	T 50 B	310g		
CMP482S1500901	220V	12.3	9	1666	15.0VA	T 50 B	310g		
CMP482S1501001	220V	13.2	10	1500	15.0VA	T 50 B	310g		
CMP482S1501201	220V	15.5	12	1250	15.0VA	T 50 B	310g		
CMP482S1501501	220V	19.3	15	1000	15.0VA	T 50 B	310g		
CMP482S1501801	220V	23	18	833	15.0VA	T 50 B	310g		
CMP482S1502401	220V	30.5	24	625	15.0VA	T 50 B	310g		
CMP482D1500601	220V	2X8.1	2X6	2X1250	15.0VA	T 50 B	310g		
CMP482D1500901	220V	2X12.3	2X9	2X833	15.0VA	T 50 B	310g		
CMP482D1501001	220V	2X13.2	2X10	2X750	15.0VA	T 50 B	310g		
CMP482D1501201	220V	2X15.5	2X12	2X625	15.0VA	T 50 B	310g		
CMP482D1501501	220V	2X19.3	2X15	2X500	15.0VA	T 50 B	310g		
CMP482D1501801	220V	2X23	2X18	2X416	15.0VA	T 50 B	310g		
CMP482D1502401	220V	2X30.5	2X24	2X312	15.0VA	T 50 B	310g		